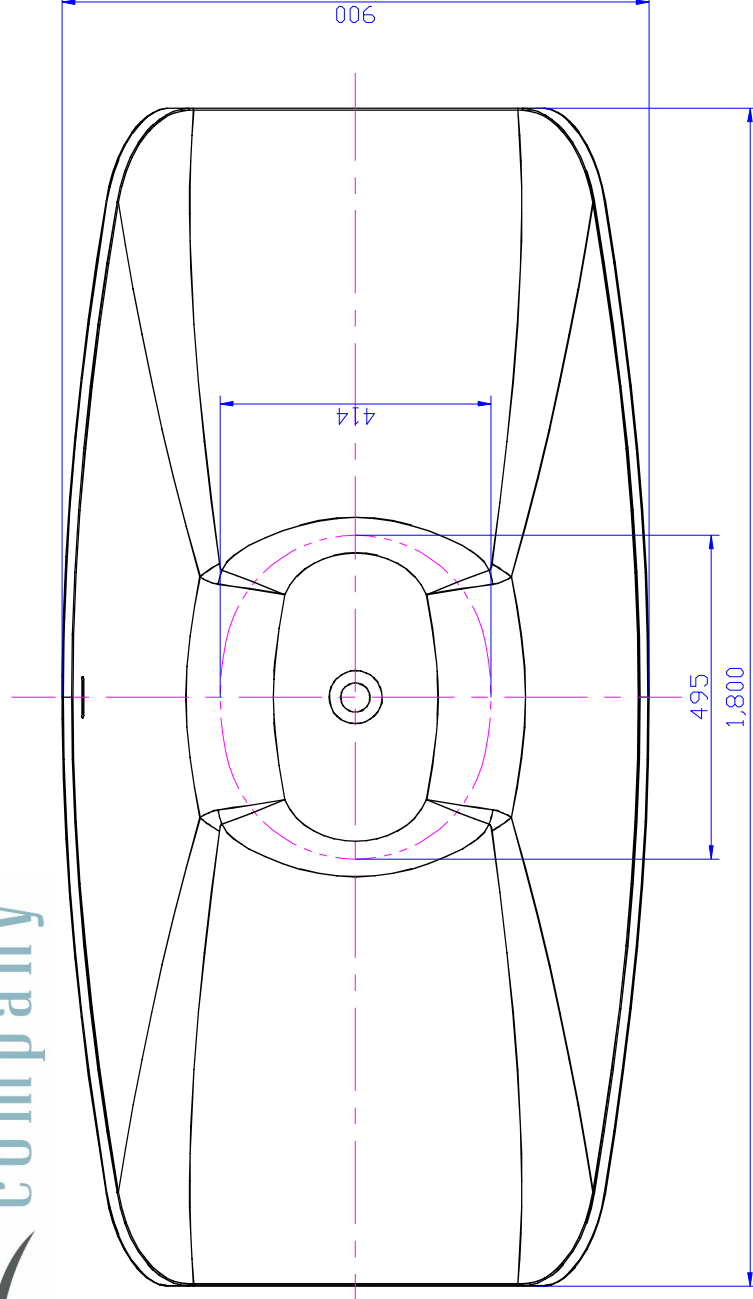
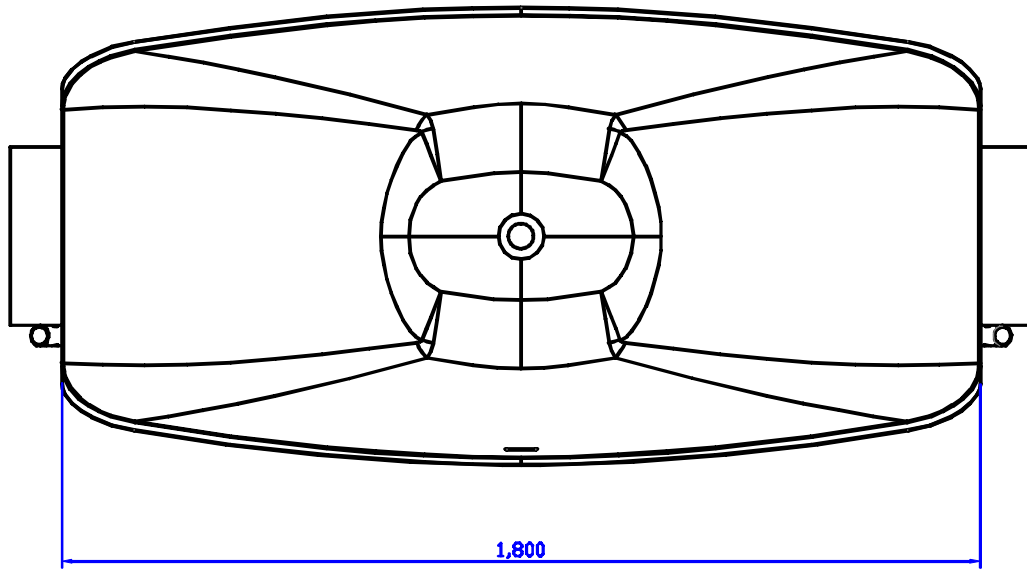


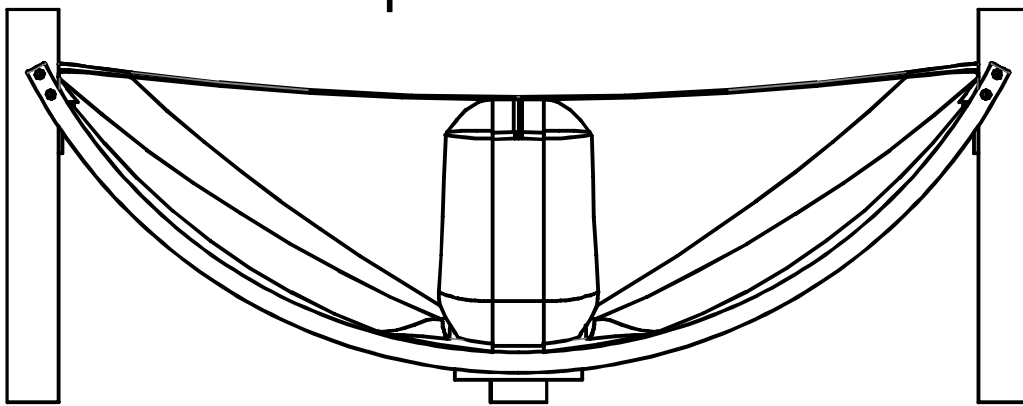
the  
**Hammock Bath**  
 company



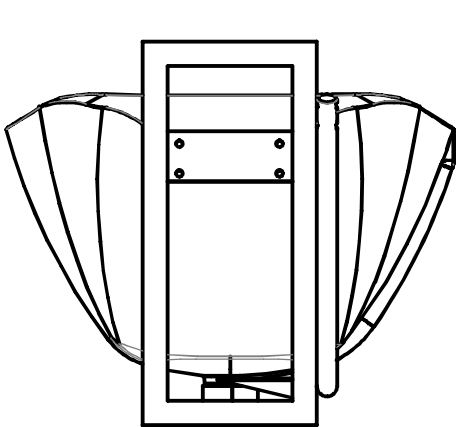
**HAVEN HBH1.8**  
**MARK II**  
**HAMMOCK BATH**  
 with overflow  
 without showing  
 steel uprights



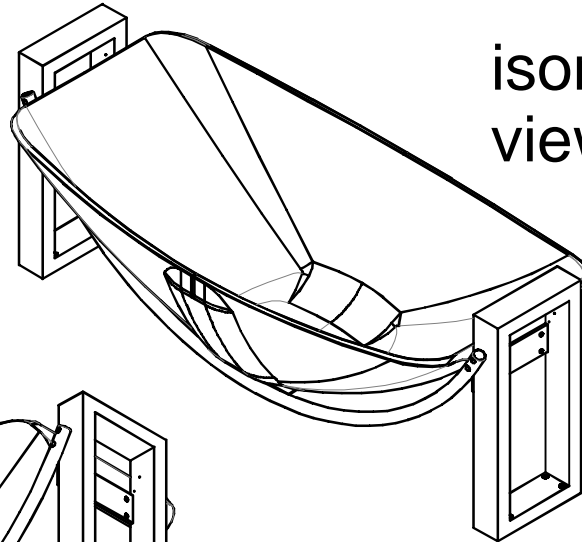
plan view



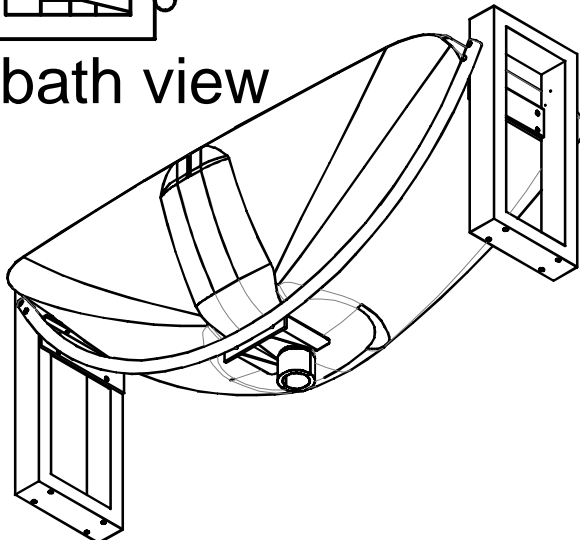
rear of bath view



side bath view



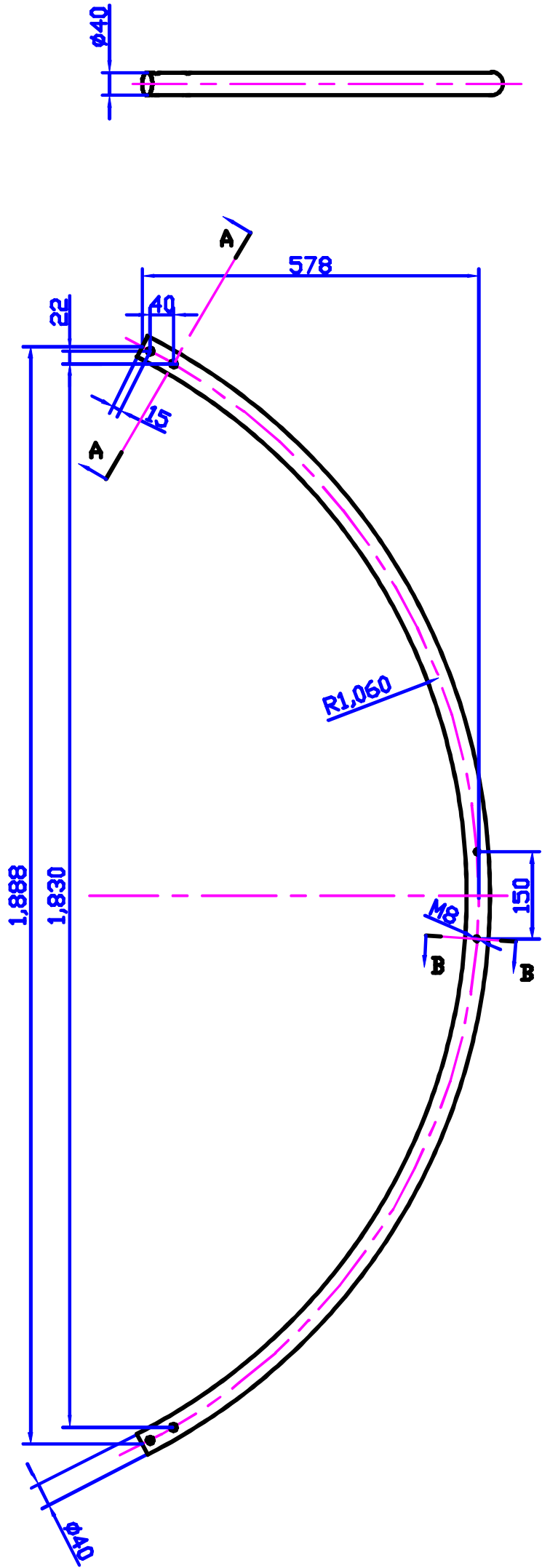
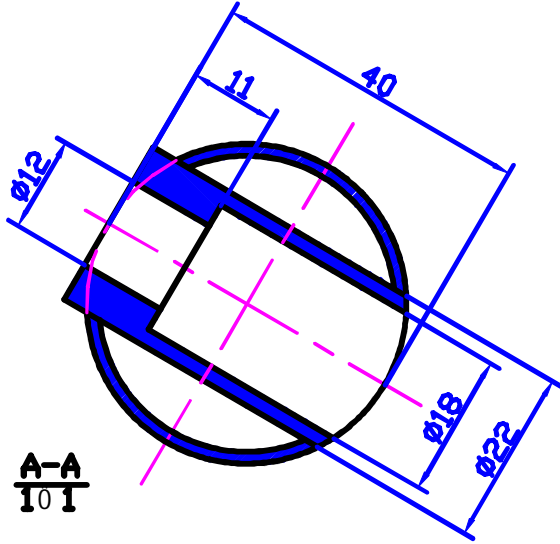
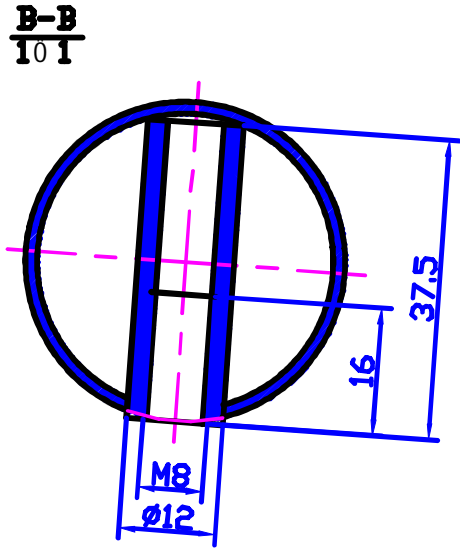
isometric rear view of bath



HAVEN HBH1.8  
MARK II  
HAMMOCK BATH

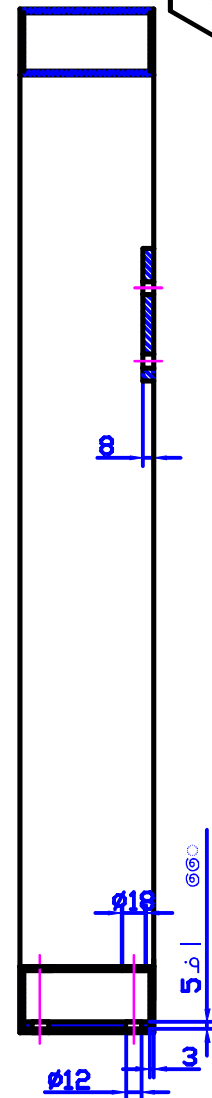
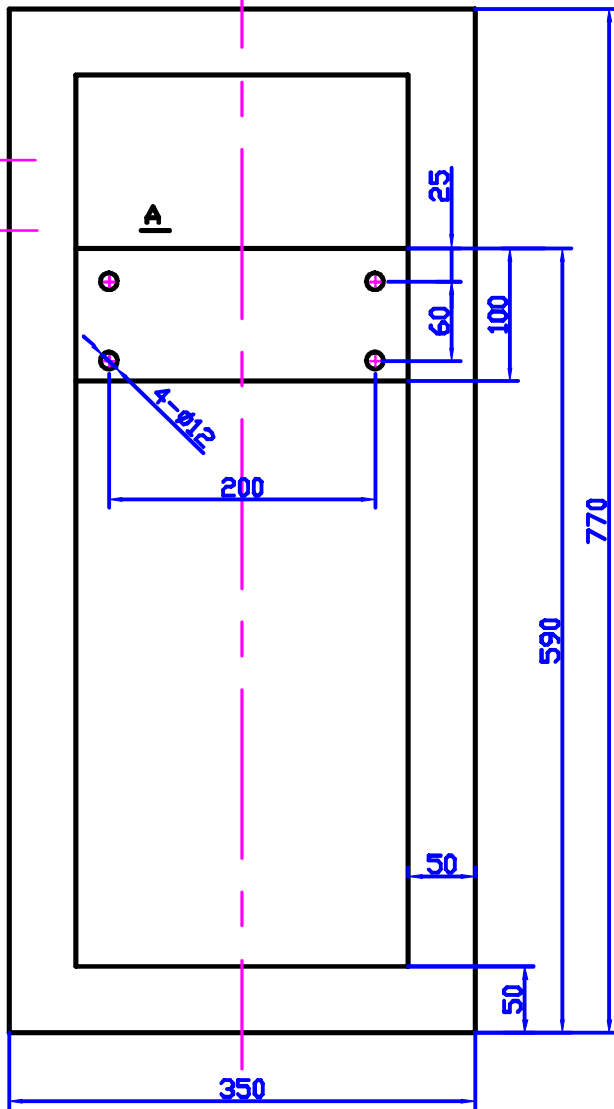
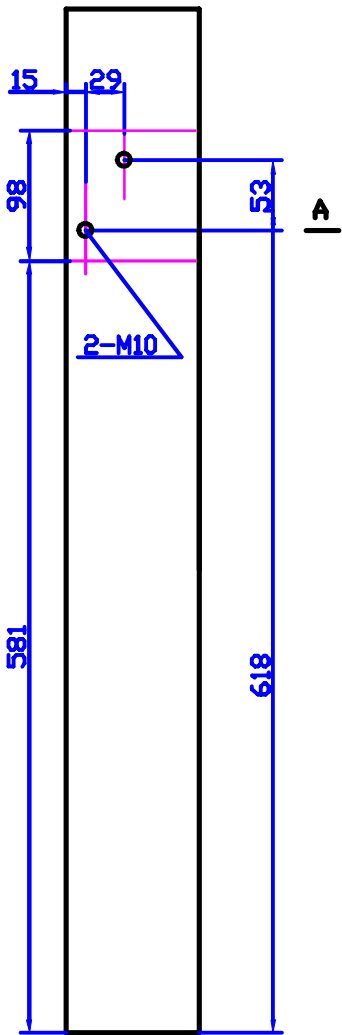
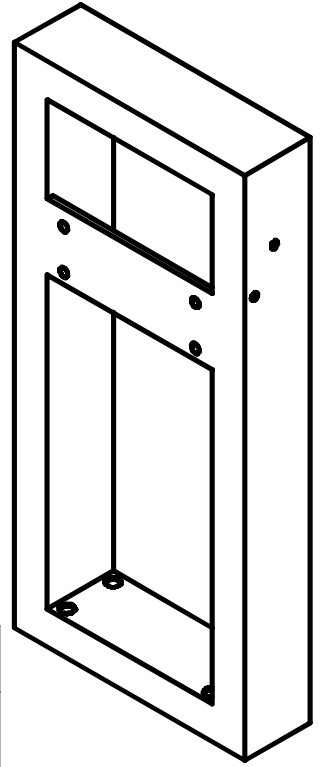
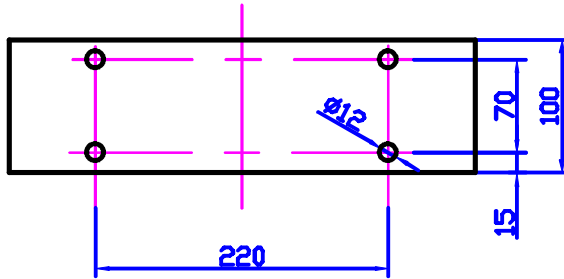


# HAVEN HBH1.8 MARK II HAMMOCK BATH

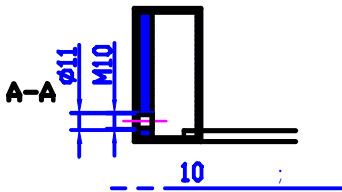


isometric view of  
steel upright frame

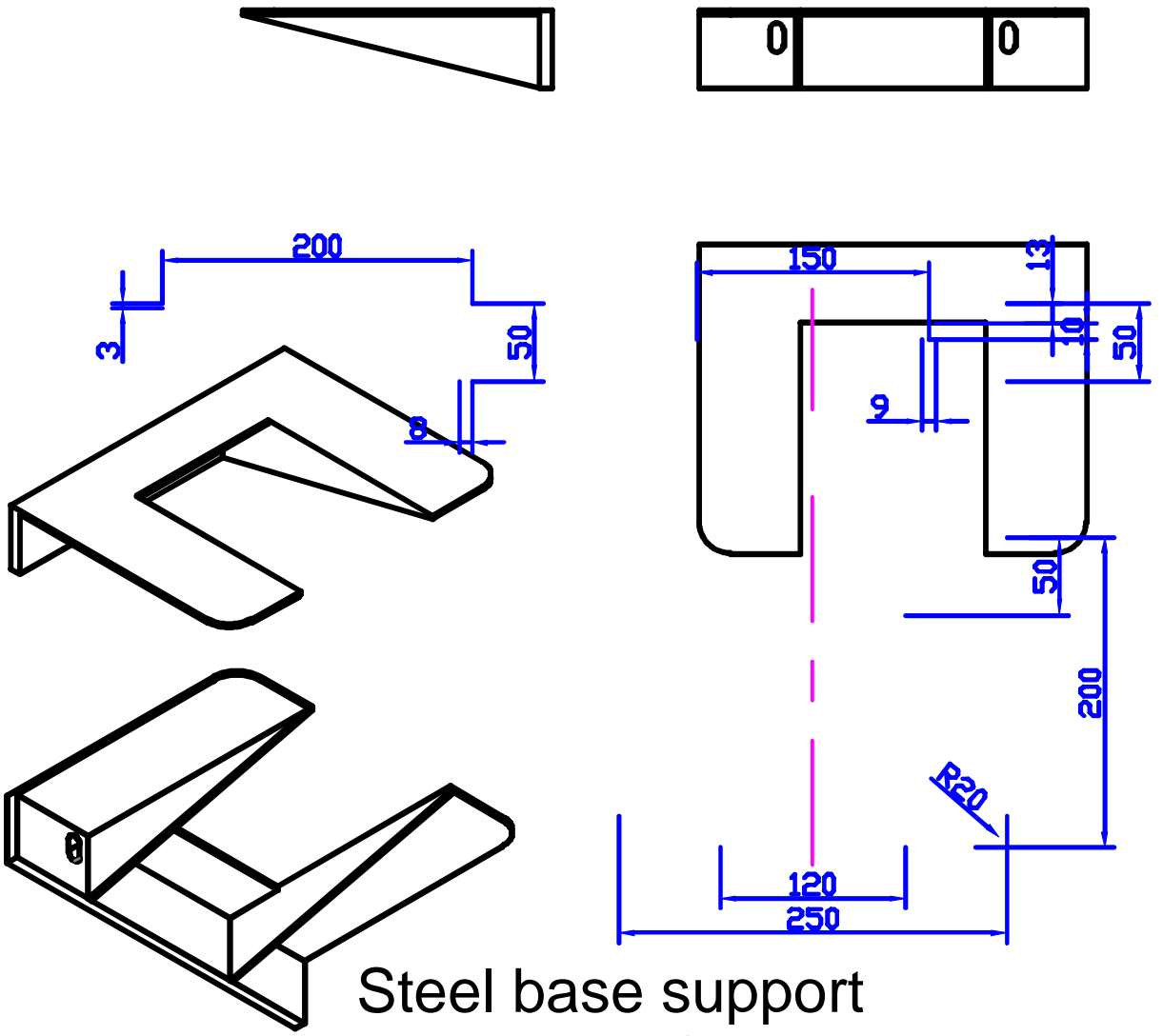
fixing holes at  
base of steel  
upright frame



**HAVEN HBH1.8**  
**MARK II**  
**HAMMOCK BATH**

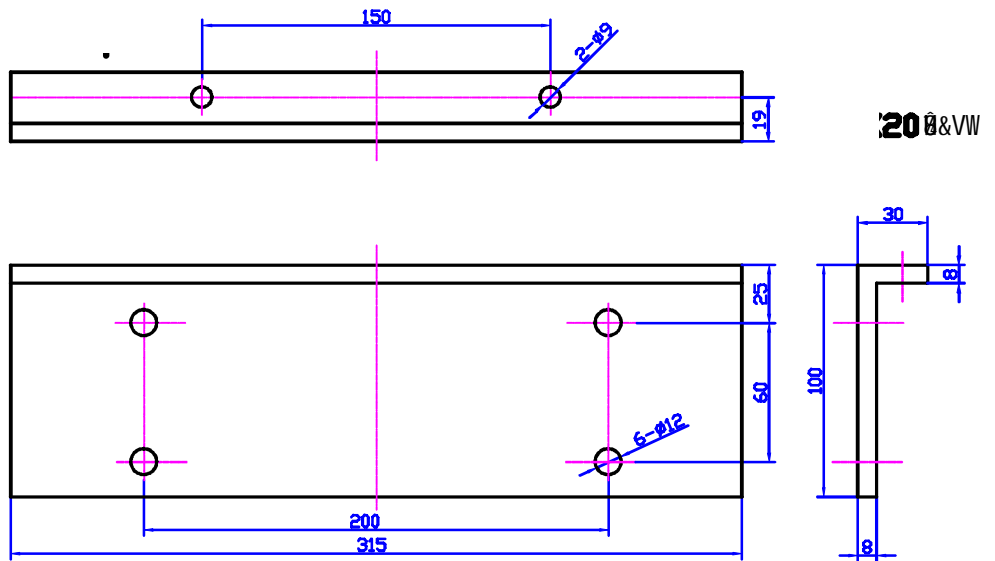


steel upright frames  
2 supplied - 1 for each end



Steel base support  
underside of Hammock Bath

HAVEN HBH1.8  
MARK II  
HAMMOCK BATH



Steel bracket which is bolted  
to the upright steel frame