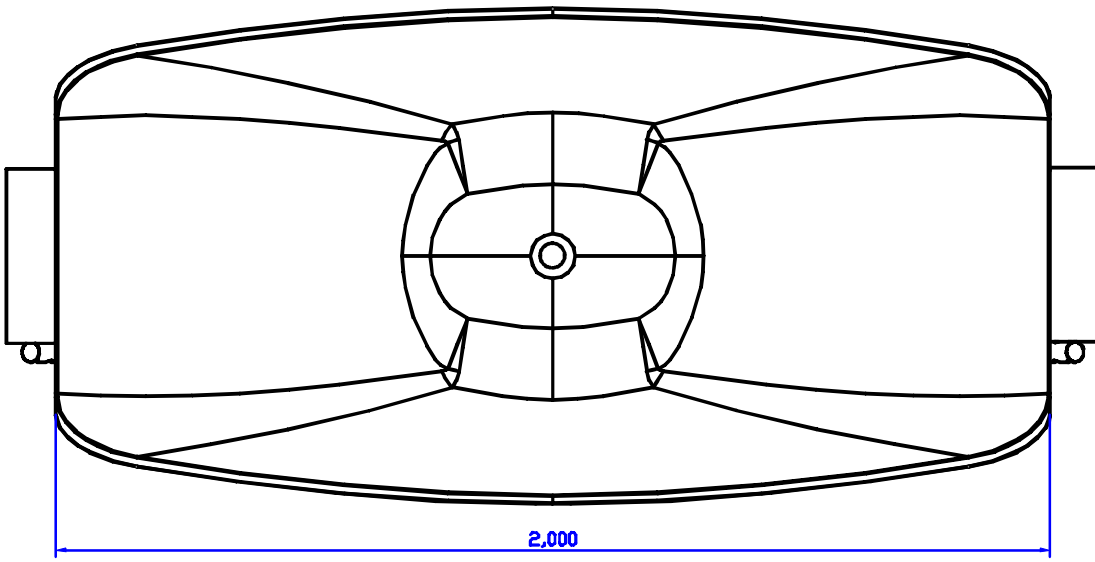
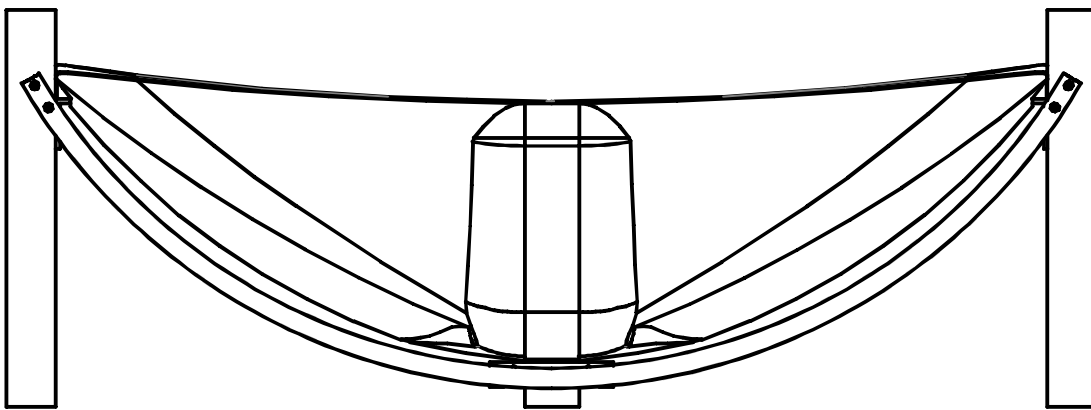


**HAVEN
 HBH2.0
 MARK II
 HAMMOCK BATH**
 with overflow
 withoutshowing
 steel frame

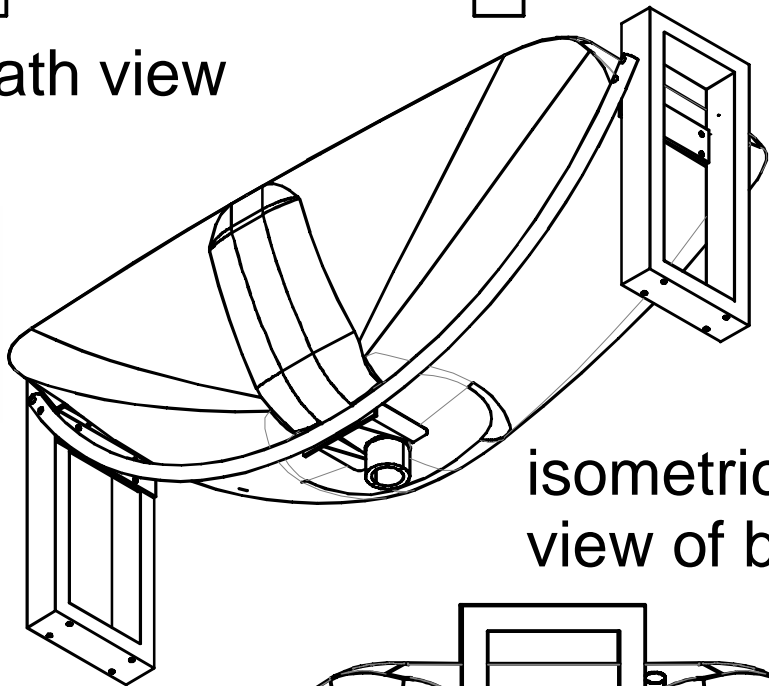


plan view

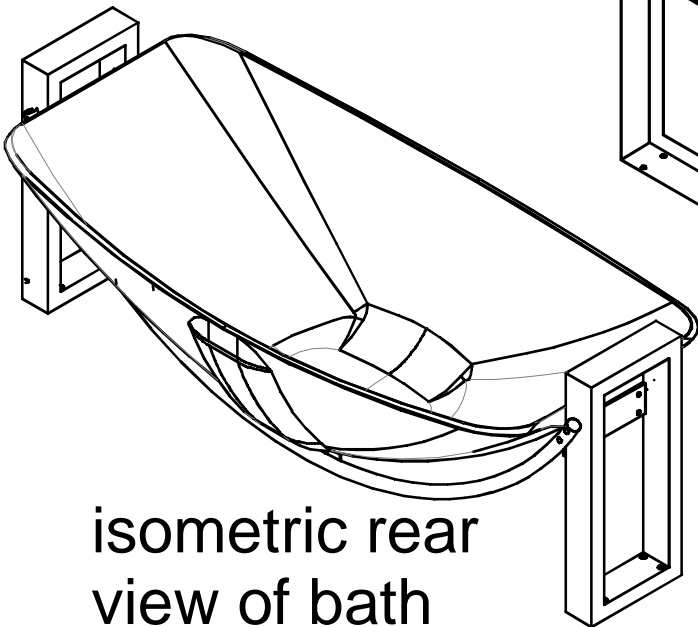


rear of bath view

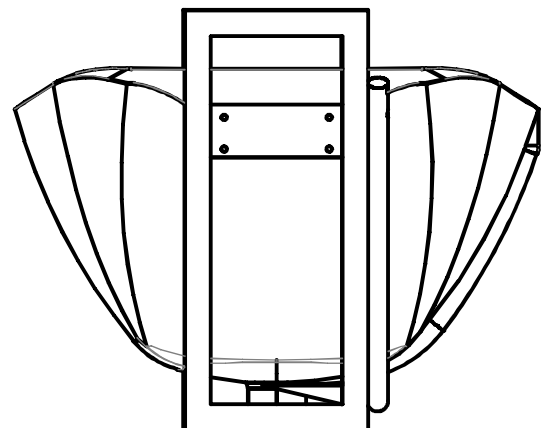
the
Hammock Bath
company



isometric rear
view of bath



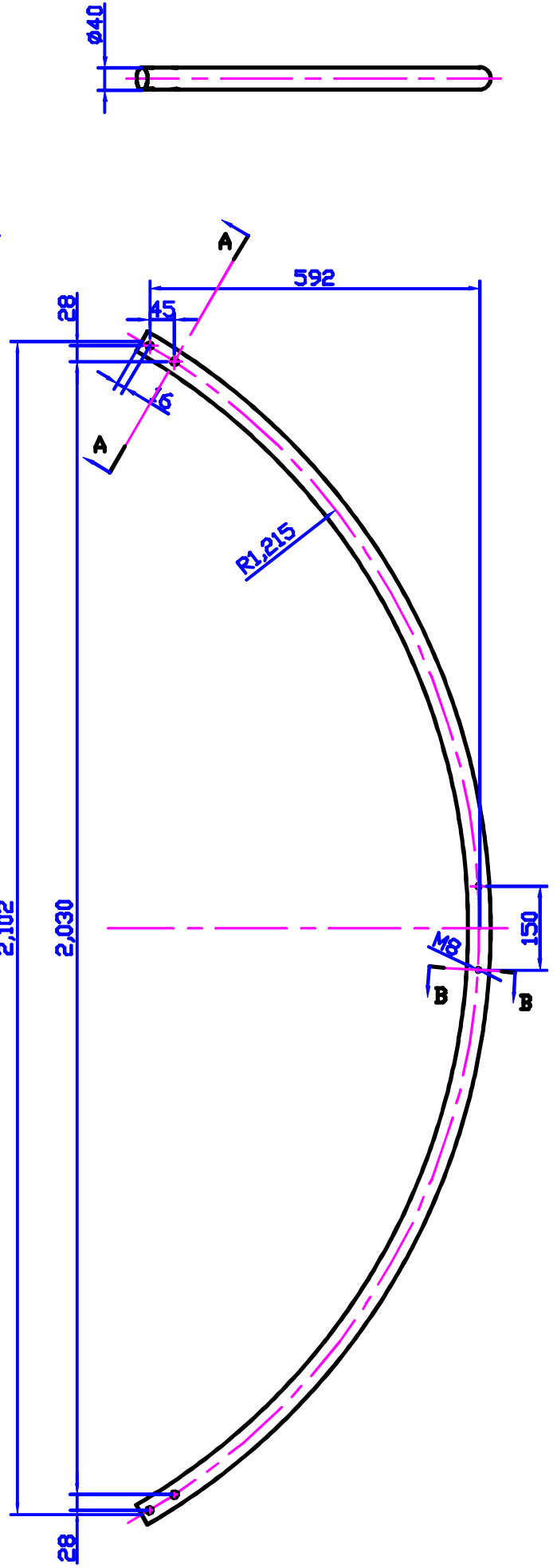
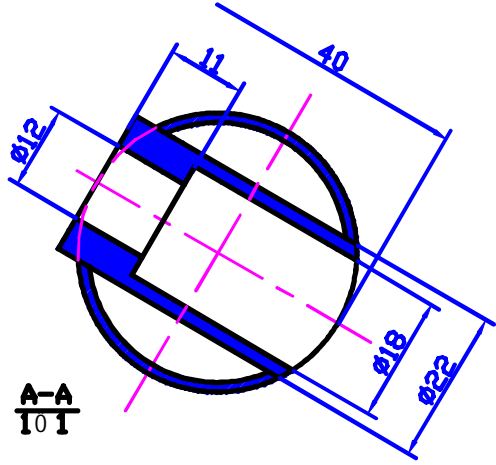
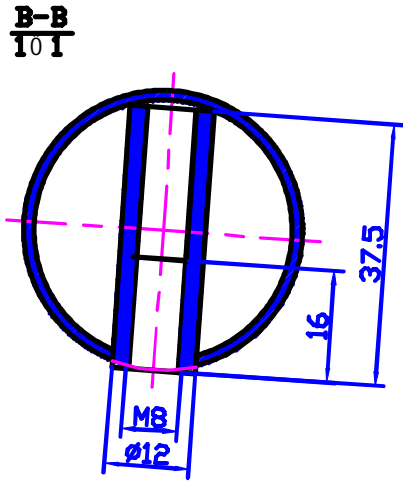
isometric rear
view of bath



side bath view

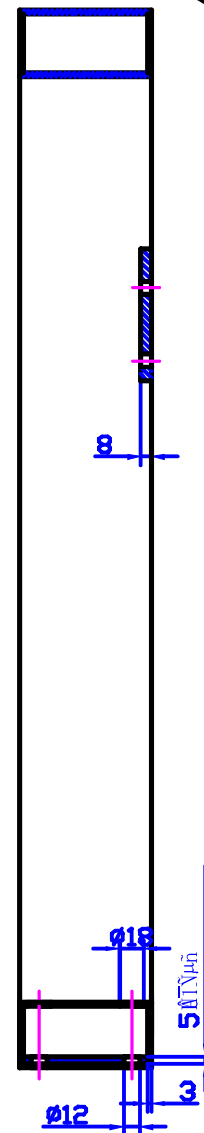
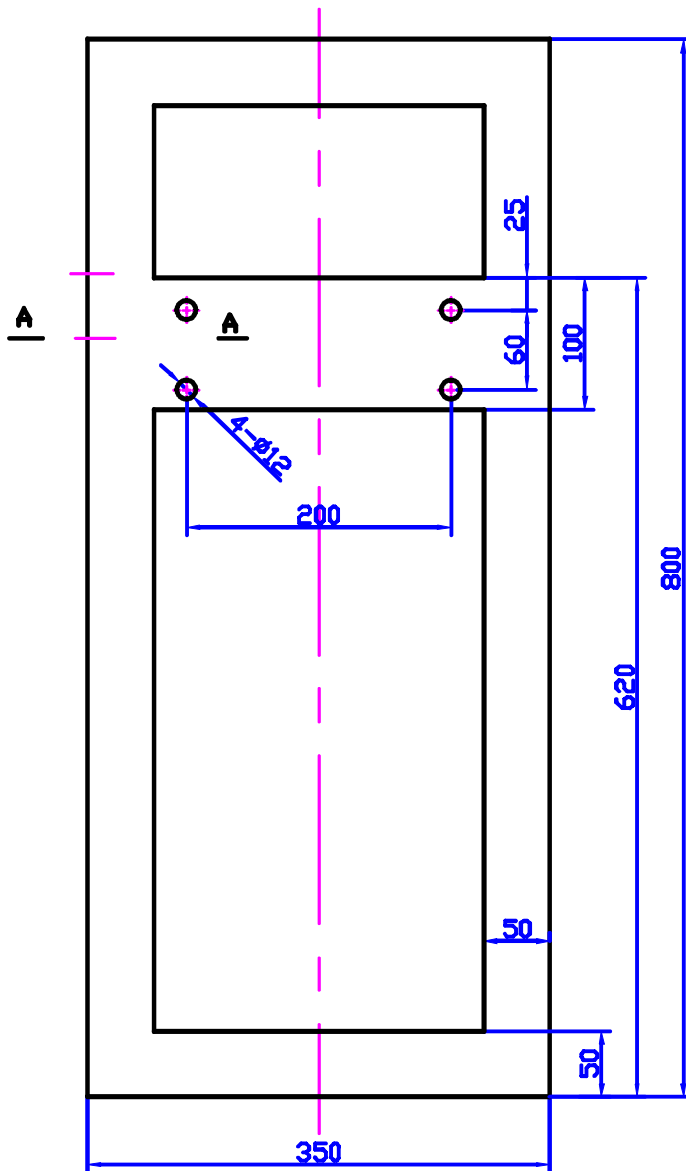
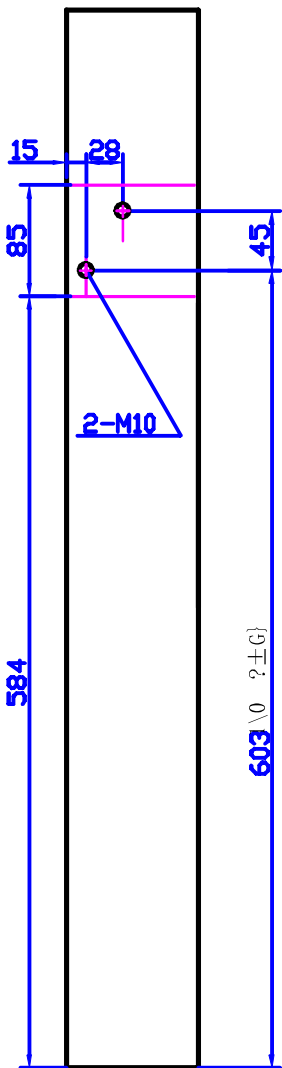
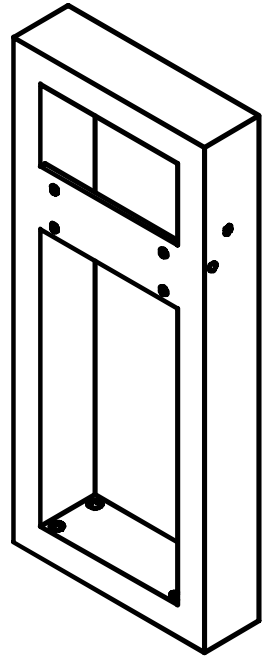
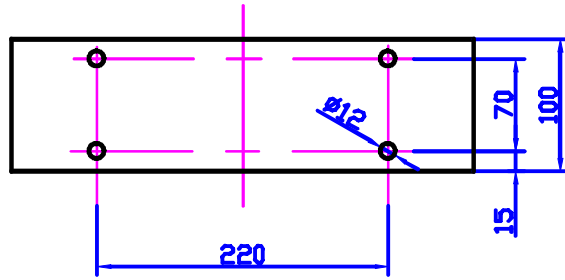
HAVEN
HBH2.0 MARK II

HAVEN HBH2.0 MARK II

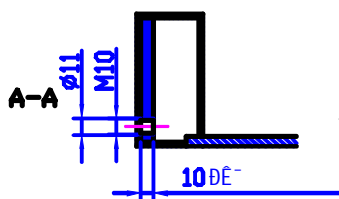


isometric view of
steel upright frame

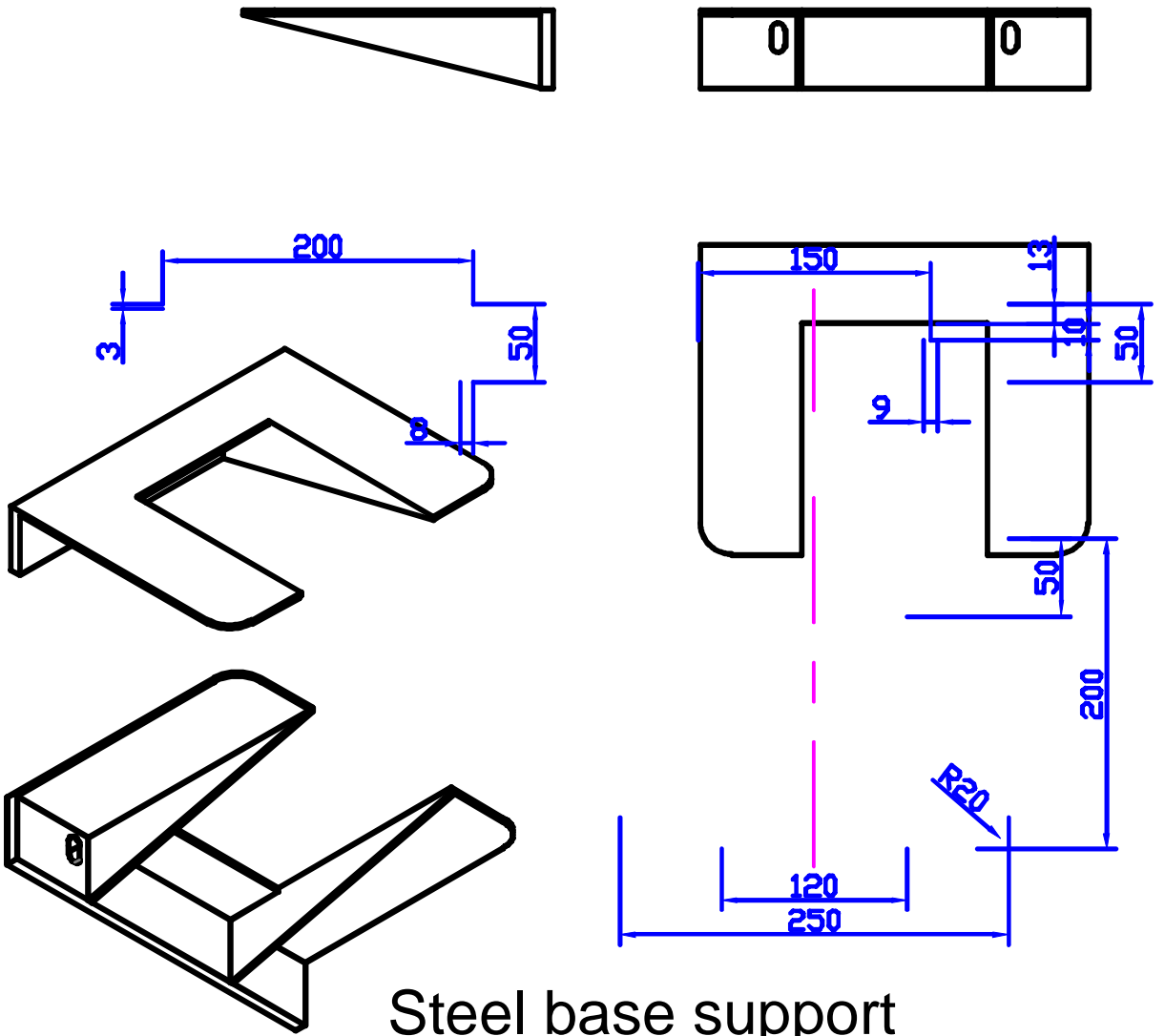
stainless steel
bracket that is
fixed to steel
upright frame



HAVEN
HBH2.0 MARK II

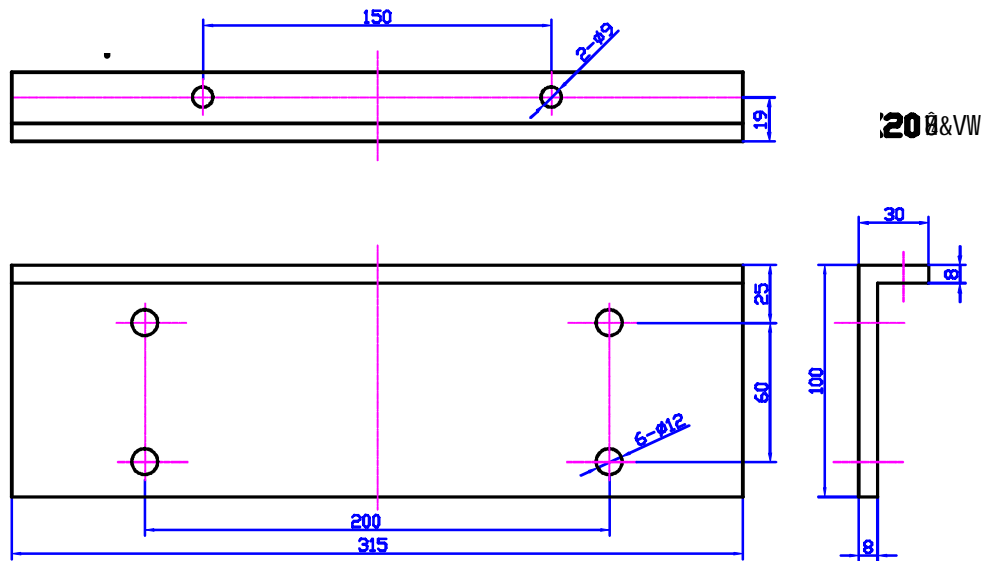


steel upright frames
2 supplied - 1 for each end



Steel base support
underside of Hammock Bath

HAVEN
HBH2.0 MARK II



Steel bracket which is bolted
to the upright steel frame