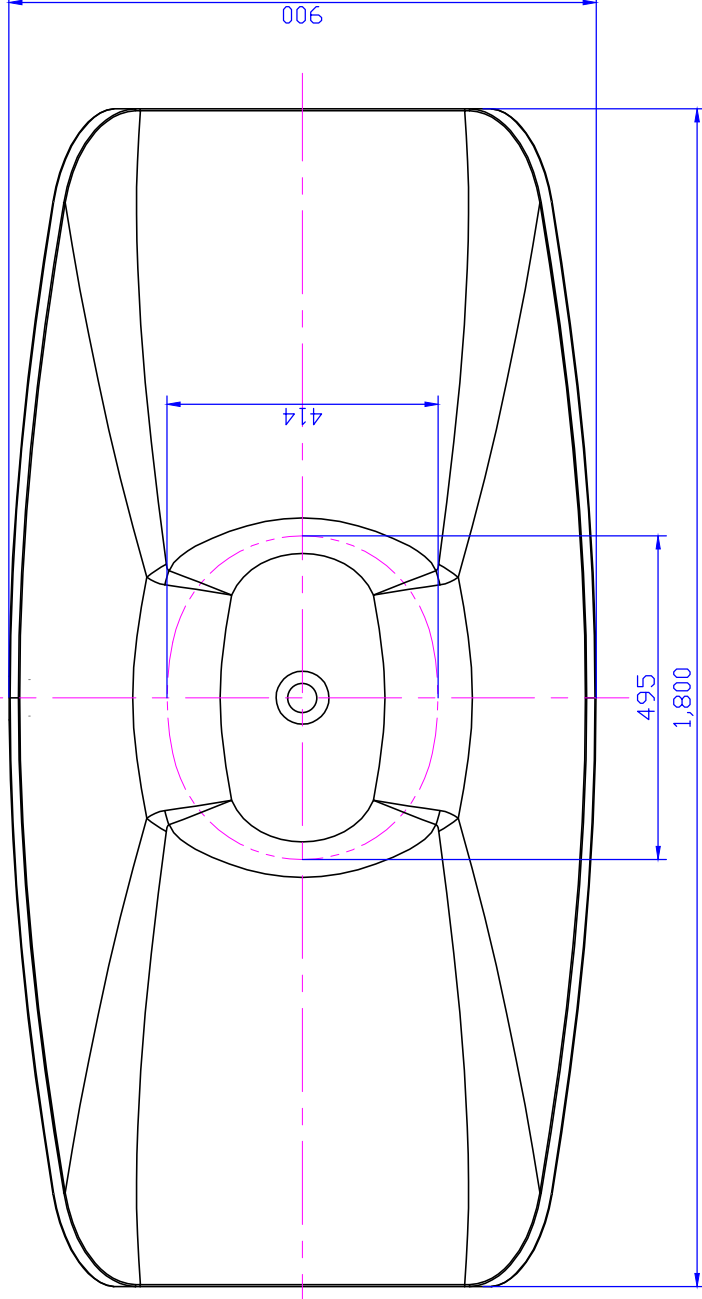
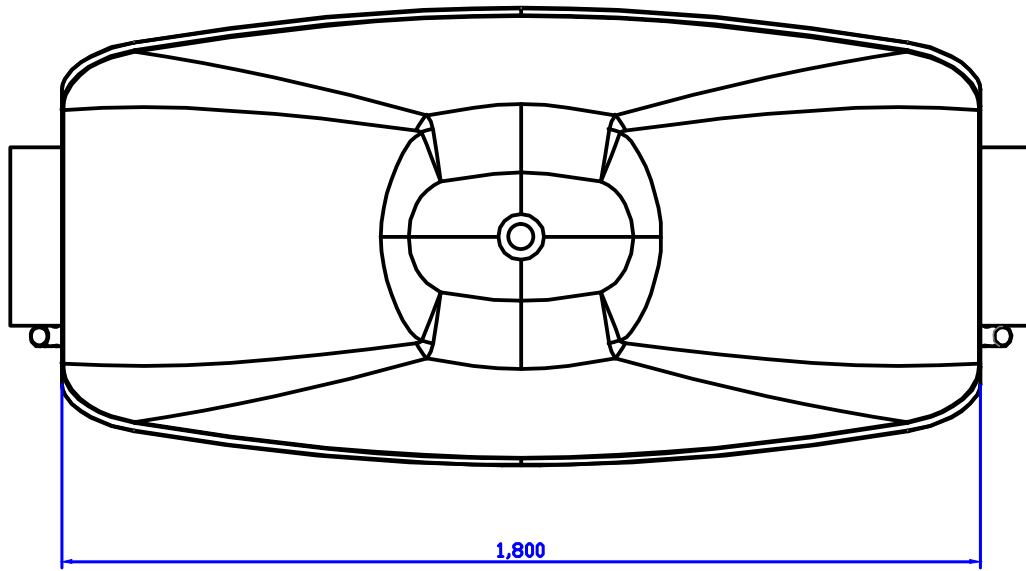


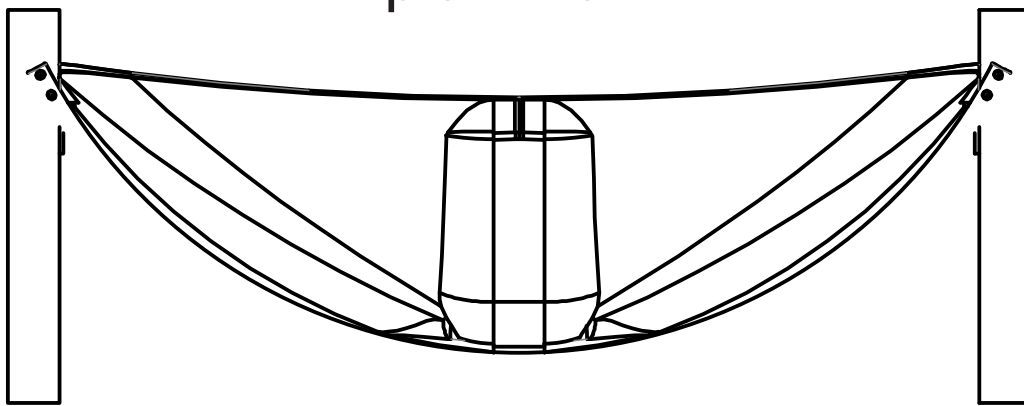
the  
**Hammock Bath**  
 company

**HAVEN HBH1.8  
 MARK II  
 HAMMOCK BATH**  
 with No overflow  
 without showing  
 steel uprights

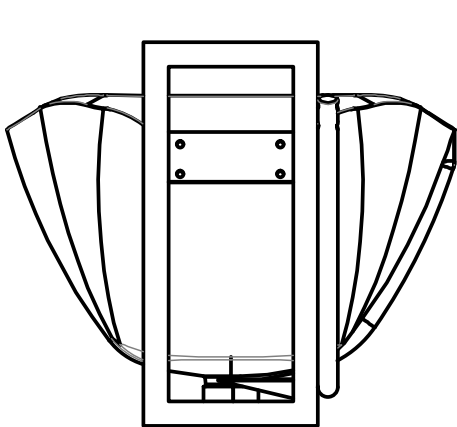




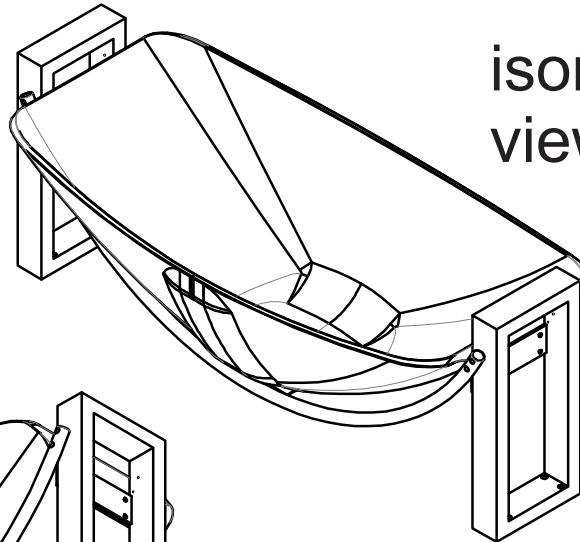
plan view



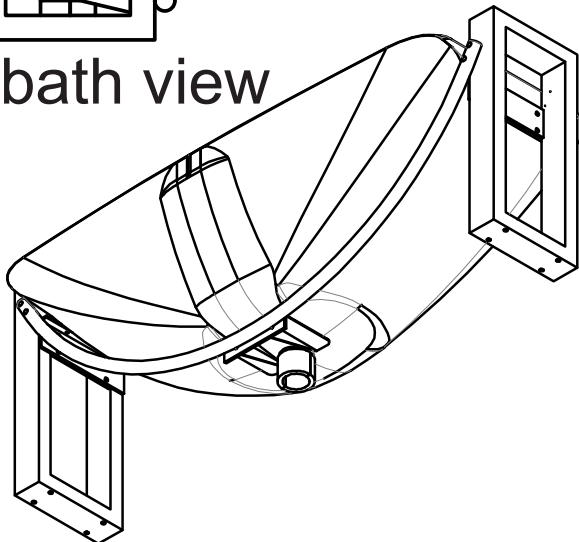
rear of bath view



side bath view

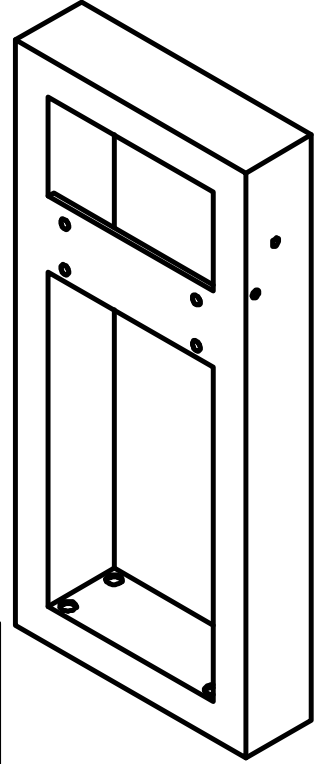


isometric rear view of bath

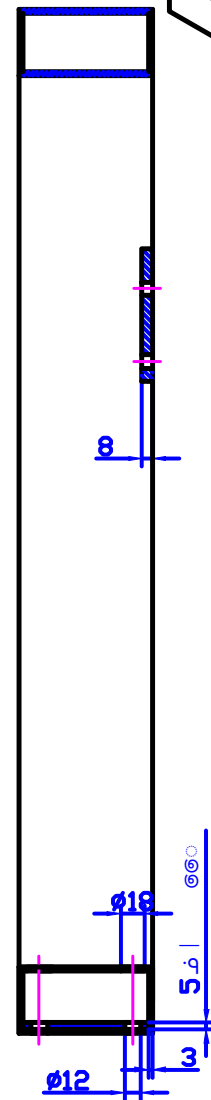
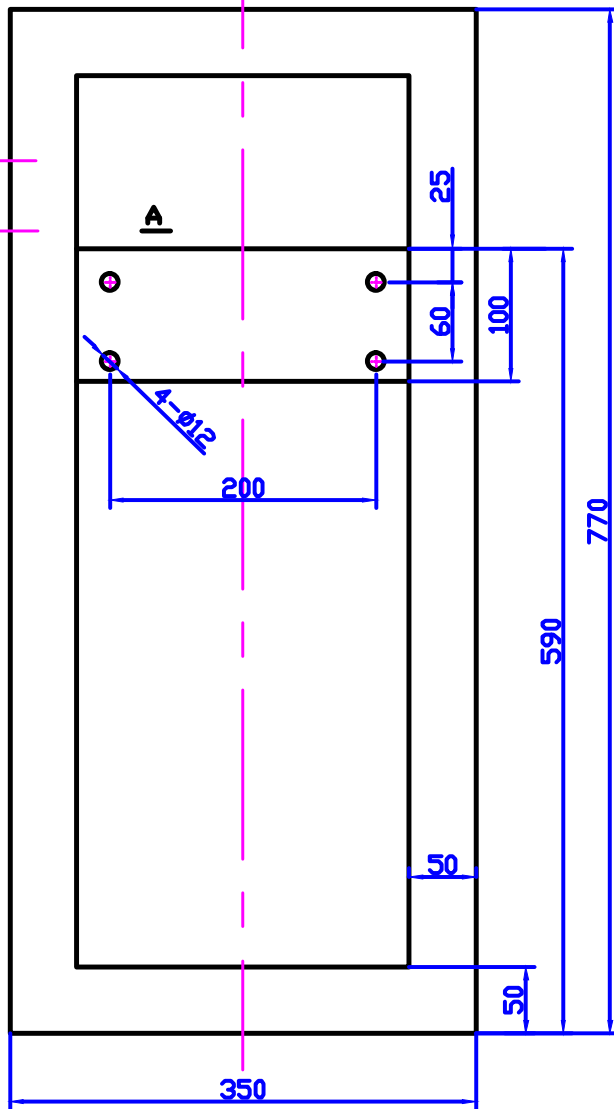
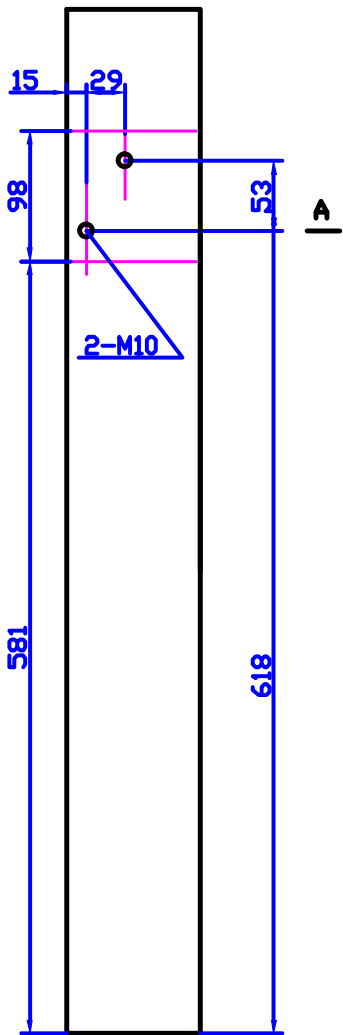
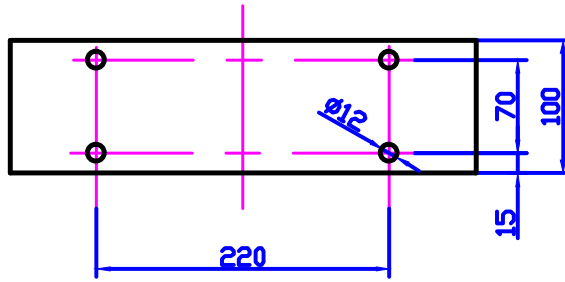


HAVEN HBH1.8  
MARK II  
HAMMOCK BATH

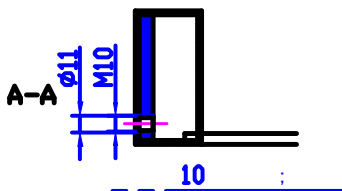
isometric view of  
steel upright frame



fixing holes at  
base of steel  
upright frame

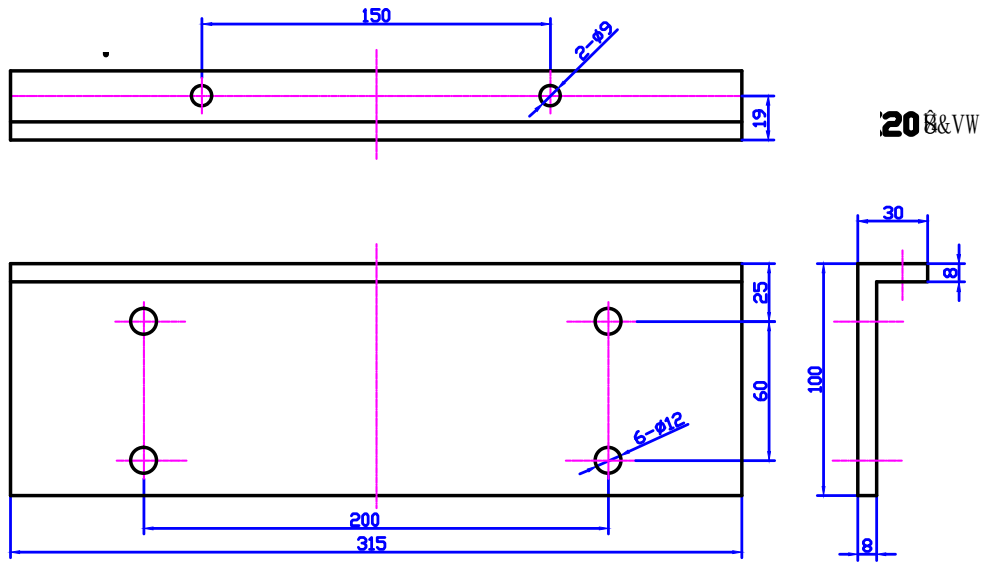


HAVEN HBH1.8  
MARK II  
HAMMOCK BATH



steel upright frames  
2 supplied - 1 for each end

HAVEN HBH1.8  
 MARK II  
 HAMMOCK BATH



Steel bracket which is bolted to the upright steel frame